

TMBV Pilot Control Assemblies



MECSolutions@sunsrce.com

www.sun-source.com

800-953-9024

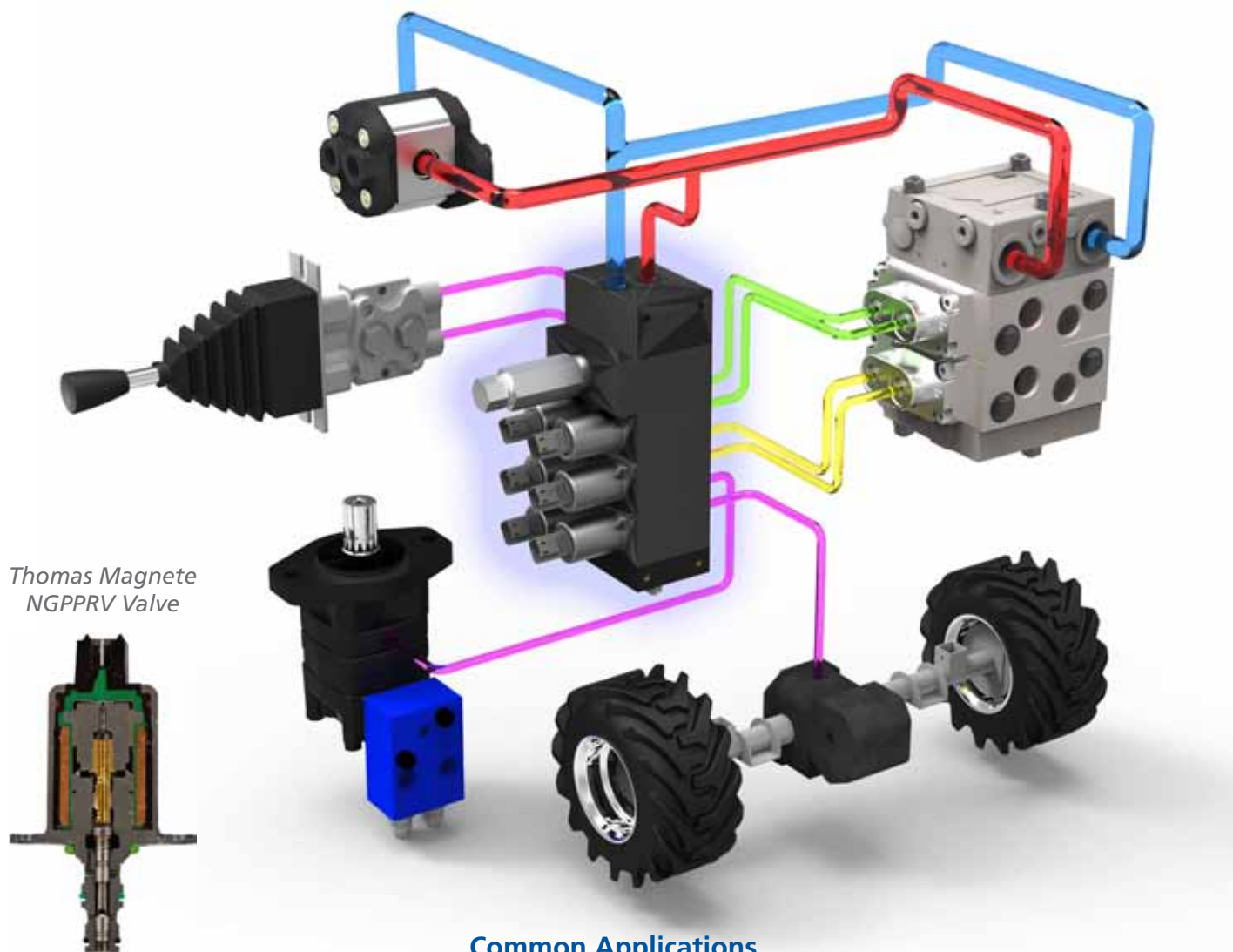
Modern equipment increasingly relies upon electronics to be the brain for the machine while the hydraulics provides the muscles. The TMBV family of manifolds provides a compact and economical interface between the two systems.

The TMBV valve assemblies accept proportional electrical inputs and produce a corresponding hydraulic output pressure. This pressure can be used to switch large sectional valves and other hydraulic devices.

Modular in design, the TMBV can be configured to accept many different pump types and provide for as few or as many outputs as required. In addition to proportional control, the TMBV can also provide for on/off control non-proportional devices.

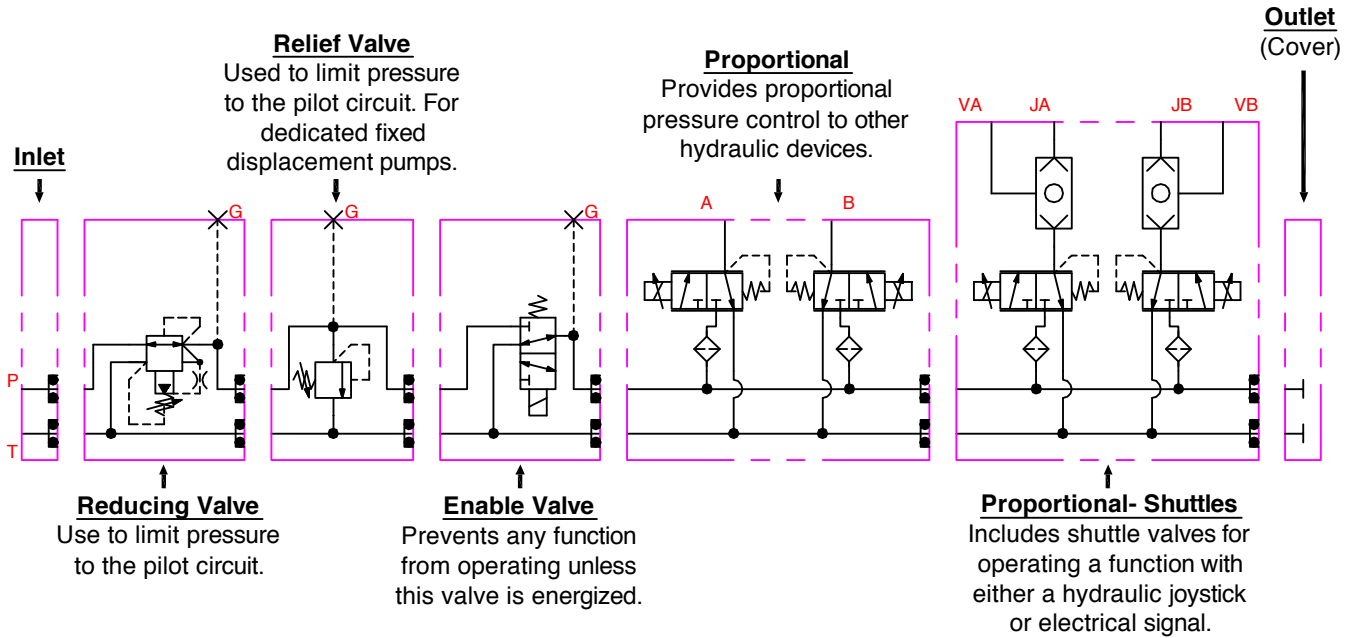
Specifications

- Pressure Output (Proportional)
 - 0-290 PSI
 - 0-363 PSI
 - 0-464 PSI
- Flow Output
 - Nominal 1/2 GPM per workport
- 12VDC or 24VDC Deutsch Coils
- PWM proportional control

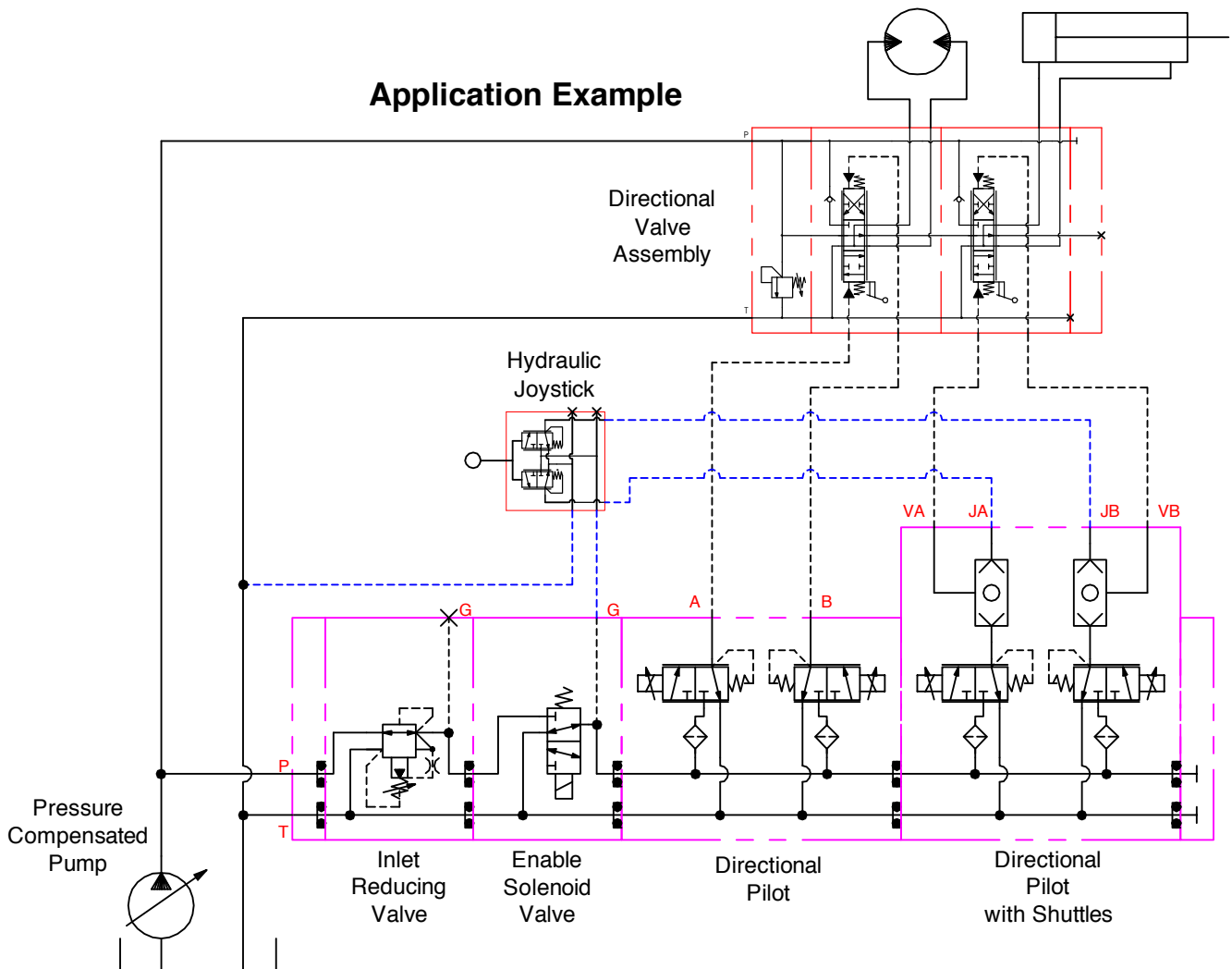


Common Applications

- Controlling hydraulic piloted directional valves with a radio remote control or electrical joystick.
- Shifting two speed motors.
- Adding a radio remote control to a machine that currently uses hydraulic joysticks.
- Actuating hydraulic differential locks.



Application Example



Other SunSource Valve Products

MEC Standard Valve Packages

Common manifold assemblies such as:

- Cross over relief
- Hydrostatic loop flush
- Fan drive
- Load holding
- Traction control



BV18 Bankable Valve

A tie-rod bankable directional valve solution.

- 12 GPM nominal flow
- 3000 PSI
- Variety of spool functions
- Optional workport relief, flow control and load holding options.
- DC and AC coils with a variety of terminations.

Custom Manifolds

SunSource can create a custom valve assembly to meet the needs of any demanding application.

- Custom designs utilizing Parker, Bucher, Eaton, Comatrol, HydraForce, Sun and many others
- From the smallest low pressure, low flow pilot manifolds to large iron blocks for high pressure and high flow heavy duty applications
- Corrosion resistant options available
- ATEX, explosion-proof, and other options are available

